

V600H

Linear Crusher

Specifications

Weight (dry)

16,500 lbs (7484 kg)

Engine

John Deere 9.0L Intercooled Turbo Diesel (Genset)
385 HP (287 kW) @ 1800 RPM

Hydraulics

Linde HPV280 Hydraulic Transmission
5000 PSI (345 bar)
132 GPM (500L/min)
Dual SAI GM4-500 Radial Piston Drive Motors
Sun Hydraulic Relief XR JB *C* A6
Filtration: (main) 10 micron
(charge) 6 micron

Power Transmission

Hydraulic to Goodyear 125mm FalconHTC Drive
Arbor Rotation: 0-1000 RPM (Reversible)

Capacities

Fuel: 55 US gal (208 L)
Hydraulics: 68 US gal (257 L)

Main Bearings

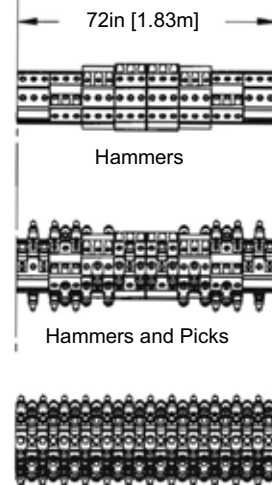
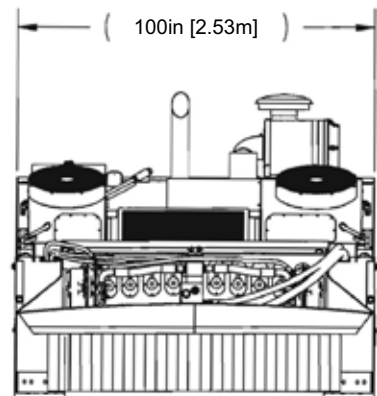
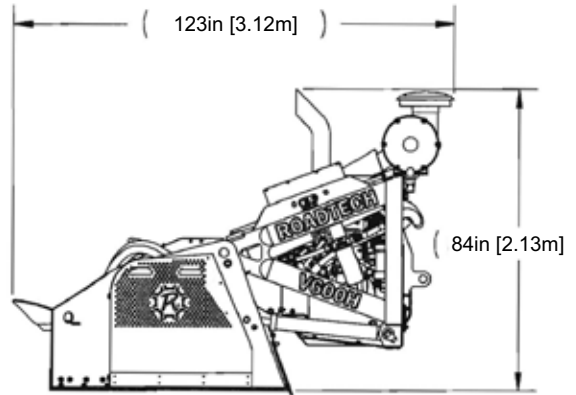
Dual Spherical Roller Bearings in Oil Bath

Performance

Input: max 20 in (30.5 cm)
Output:
Gradation: 5 in minus (12.7 cm) to 0.5 in minus (1.3 cm)
User Controlled
Rate: Variable dependent on gradation

Tooling Options

Bolt-on Chrome Alloy Impact Hammers
Bolt-on Carbide Tipped Picks



Possible Configurations

